



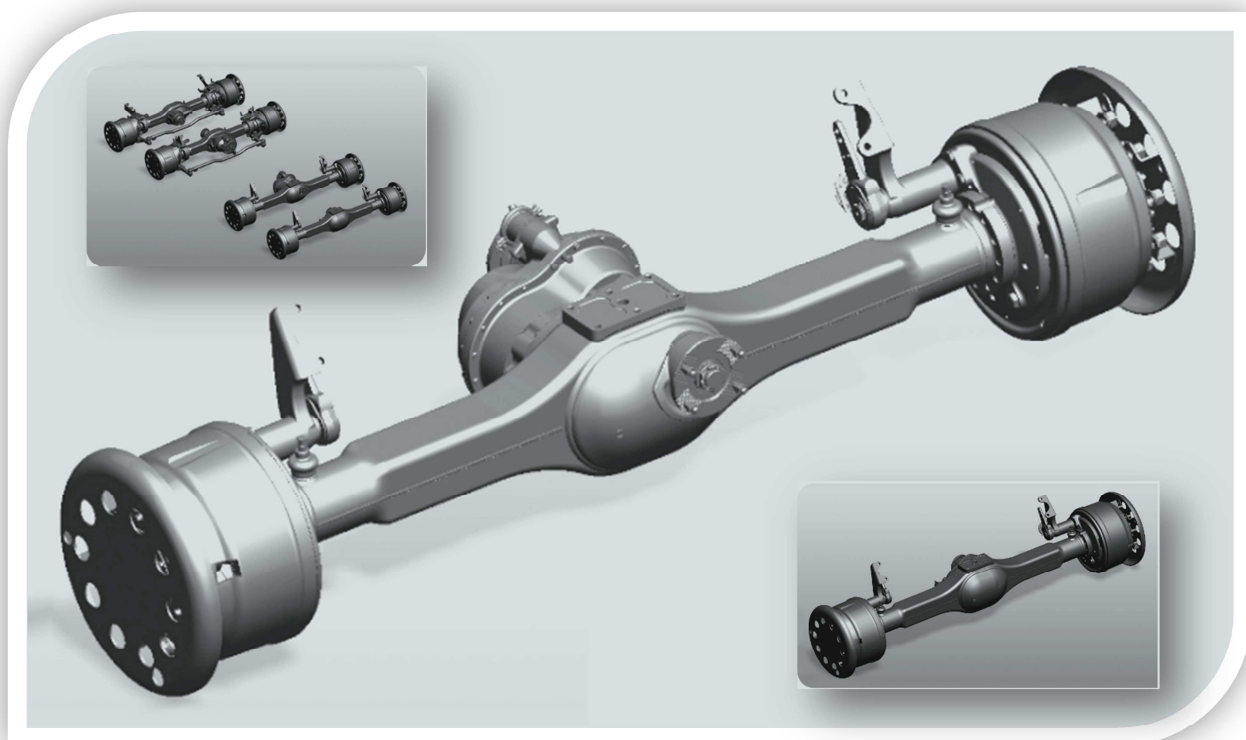
We engineer, you drive

Rába Axle Ltd.

Member of the Rába Group

RÁBA MAXS™

**DRIVEN,
DOUBLE-REDUCTION REAR AXLES**



DATA SHEET

Series	784
Reduction	Double
Position	Rear
GAW [t]	13
Application	4x4, 6x6, 8x8
Track [mm]	2000-2280
Max. output torque [Nm]	40000
Ratio	4.87-9.74
Max input revolution permitted [1/min]	3000
Max. brake torque (at 6,5 bar) [Nm]	19200
ABS	Yes
CTI	Available