



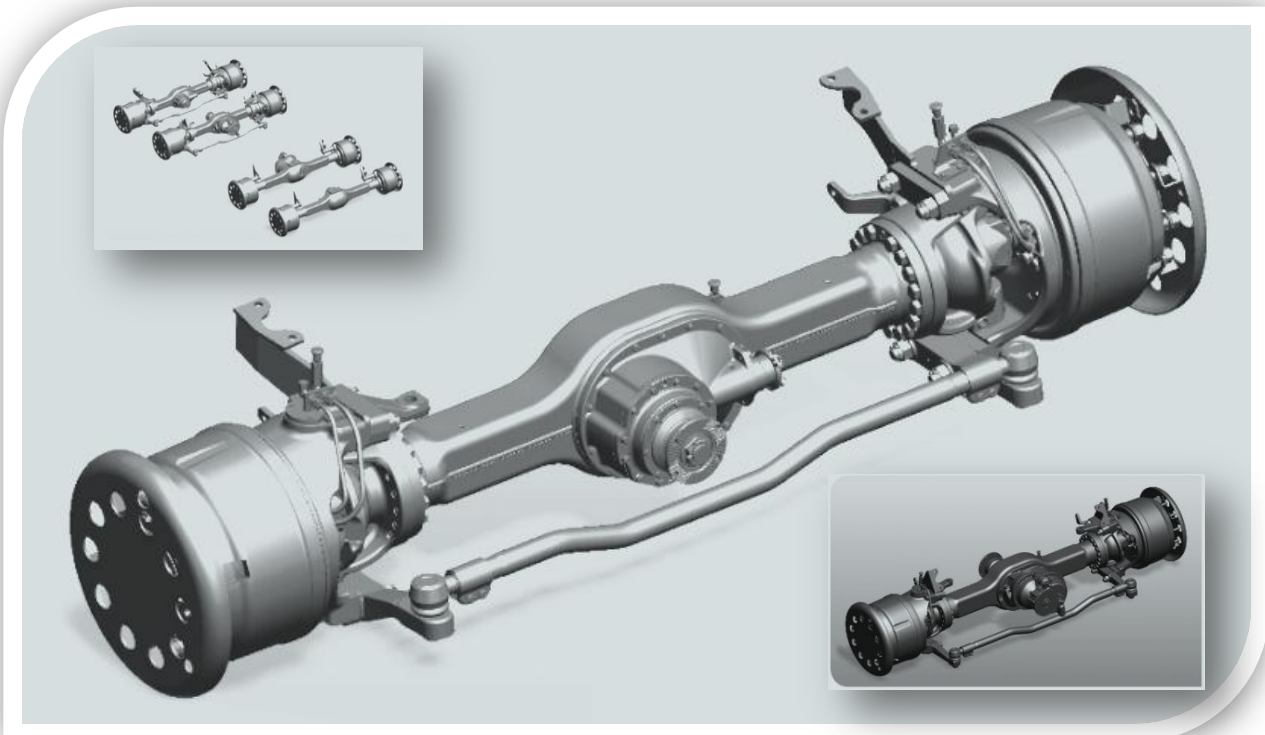
We engineer, you drive

**Rába Axle Ltd.**

Member of the Rába Group

**RÁBA MAXS™**

**STEERED, DRIVEN,  
DOUBLE-REDUCTION FRONT AXLES**



## **DATA SHEET**

Series	783
Reduction	Double
Position	Front
GAW [t]	10
Application	4x4, 6x6, 8x8
Track [mm]	2000-2280
Max. output torque [Nm]	40000
Ratio	4.87-9.74
Max input revolution permitted [1/min]	3000
Max. brake torque (at 6,5 bar) [Nm]	19200
ABS	Yes
CTI	Available