



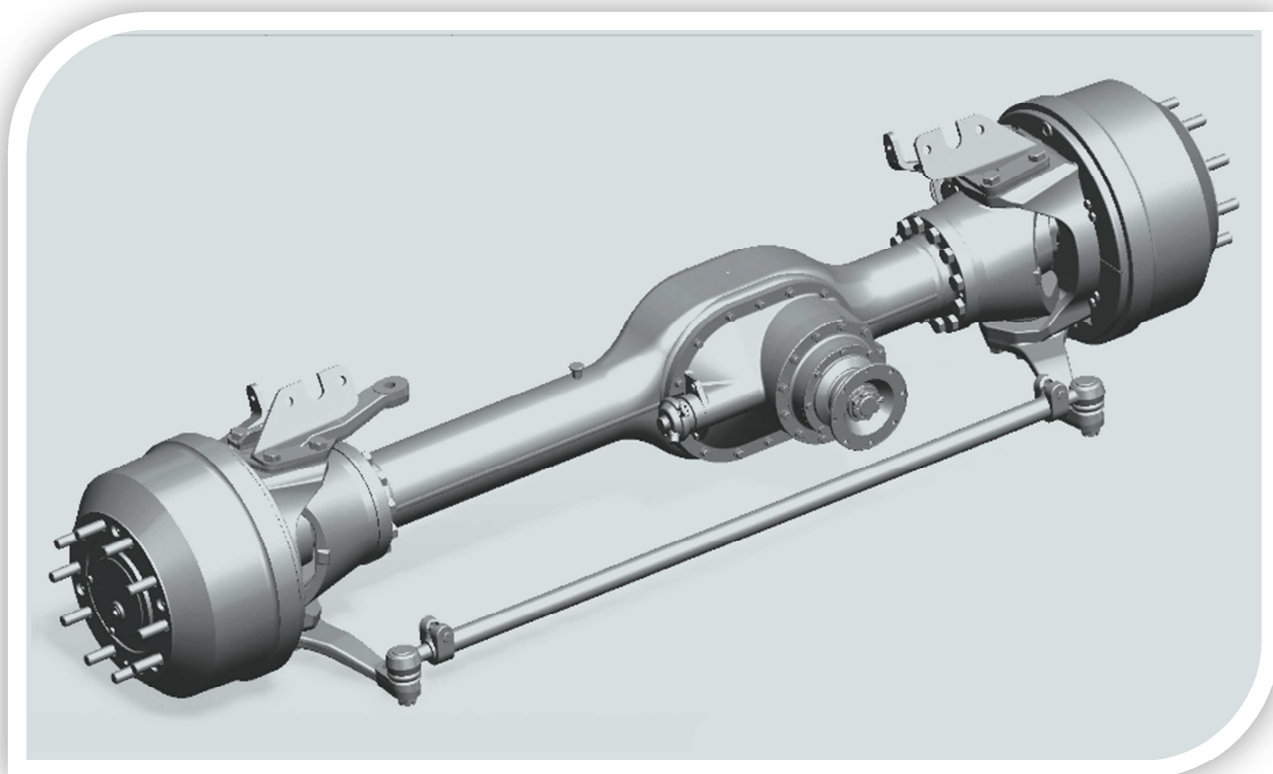
We engineer, you drive

Rába Axle Ltd.

Member of the Rába Group

RÁBA MAXS™

**STEERED, DRIVEN,
DOUBLE-REDUCTION FRONT AXLE**



DATA SHEET

Series	739
Reduction	Double
Position	Front
GAW [t]	7,2-7,7
Application	4x4, 6x6
Track [mm]	2032-2112
Max. output torque [Nm]	30000
Ratio	4.26-8.52
Max input revolution permitted [1/min]	3000
Max. brake torque (at 6,5 bar) [Nm]	19200
ABS	Yes
CTI	No