



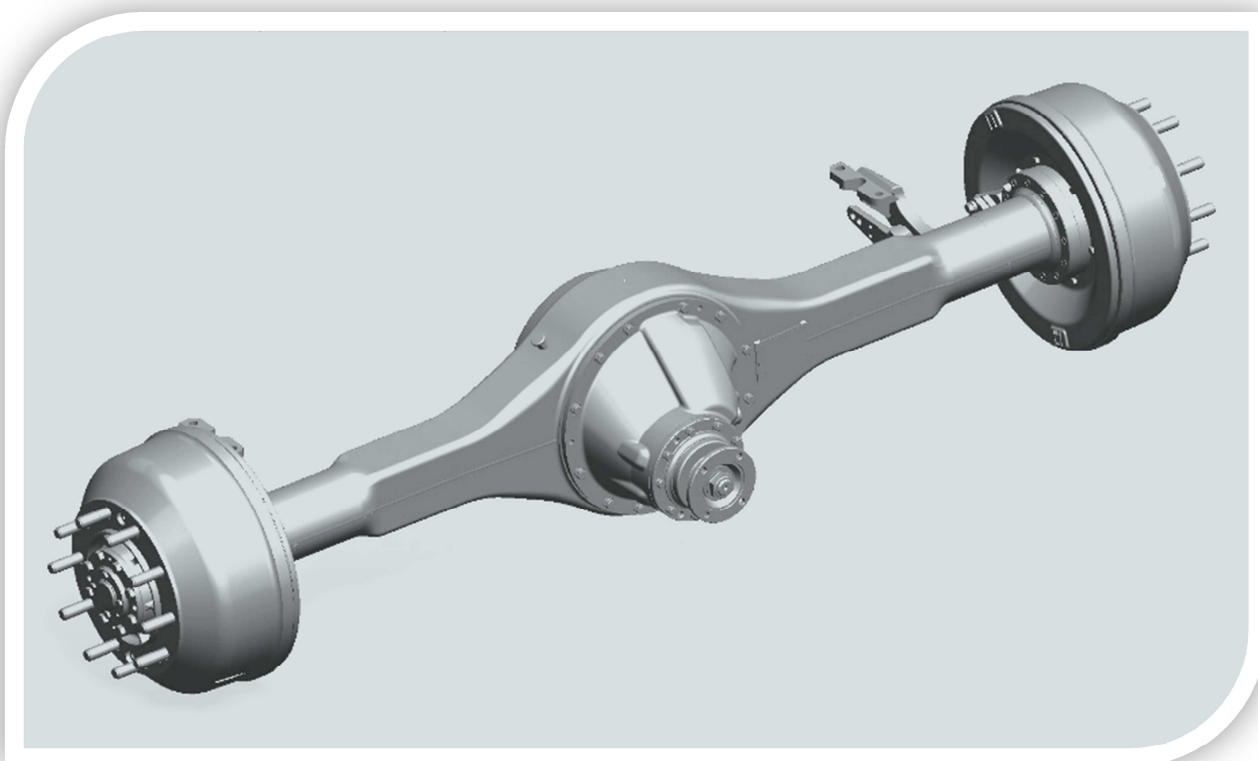
We engineer, you drive

**Rába Axle Ltd.**

Member of the Rába Group

**RÁBA MAXS™**

**DRIVEN,  
SINGLE-REDUCTION REAR AXLE**



**DATA SHEET**

Series	063
Reduction	Single
Position	Rear
GAW [t]	7
Application	4x4
Track [mm]	1990-2056
Max. output torque [Nm]	26000
Ratio	4.11-7.17
Max input revolution permitted [1/min]	3000
Max. brake torque (at 6,5 bar) [Nm]	14890
ABS	Available
CTI	No