



We engineer, you drive

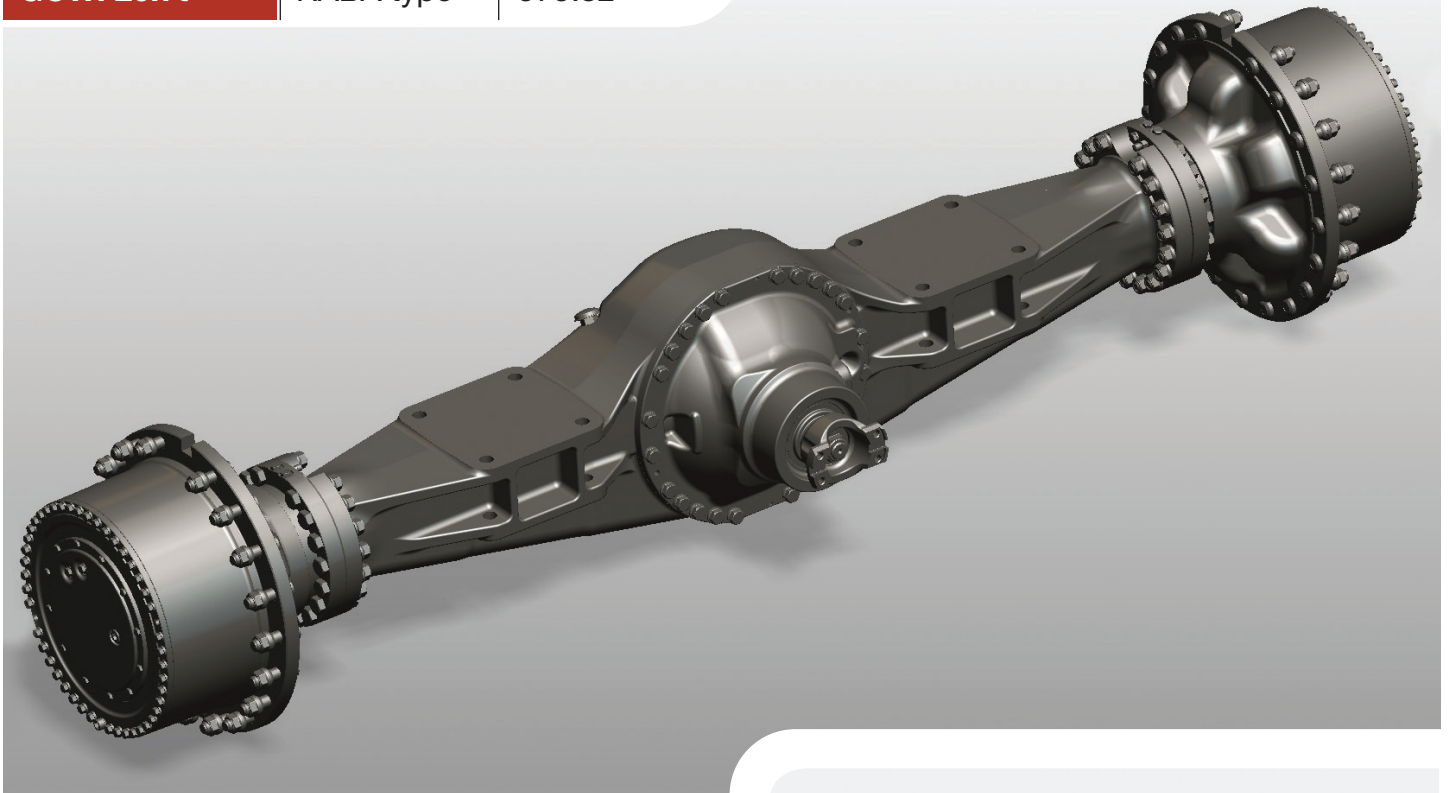
AGRICULTURAL AXLES

DOUBLE-REDUCTION REAR AXLE

GCW: 26.7t

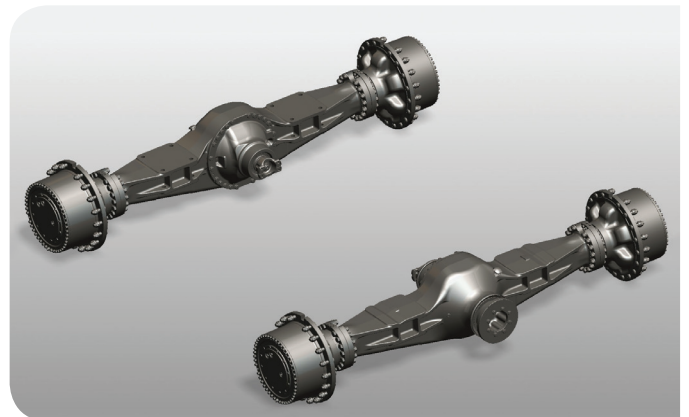
RABA type

575.82



DATA SHEET

Track	2150 mm
GAW	16.4t
Engine	208 Hp
Rpm	132 1/min
Ratio	20.8
Max. output torque	120 kNm
Max. brake torque at 72 bar	49.7 kNm
Locking rate of the diff. ass.	S=30%
Brake	Wet brake



CONTACT US!

Business Development Department

E-mail: axle.marketing@raba.hu

Phone: +36 (96) 624-335