



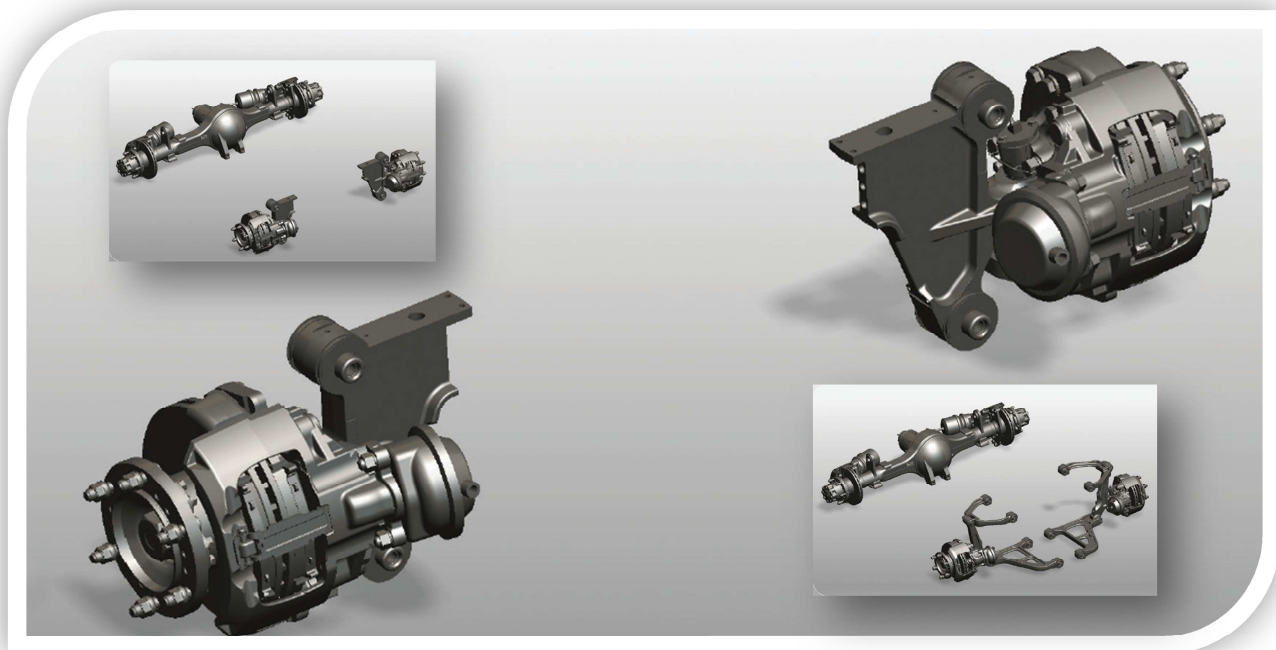
We engineer, you drive

Rába Axle Ltd.

Member of the Rába Group

BUS AXLES

STEERED, INDEPENDENT FRONT AXLE



DATA SHEET

Series	270
Reduction	IFS/I-Beam*
Position	Front
GAW [t]	3,3-3,8
Rim Size	17,5
Track [mm]	2016